



Instruction

Electronic soft-starter Type:

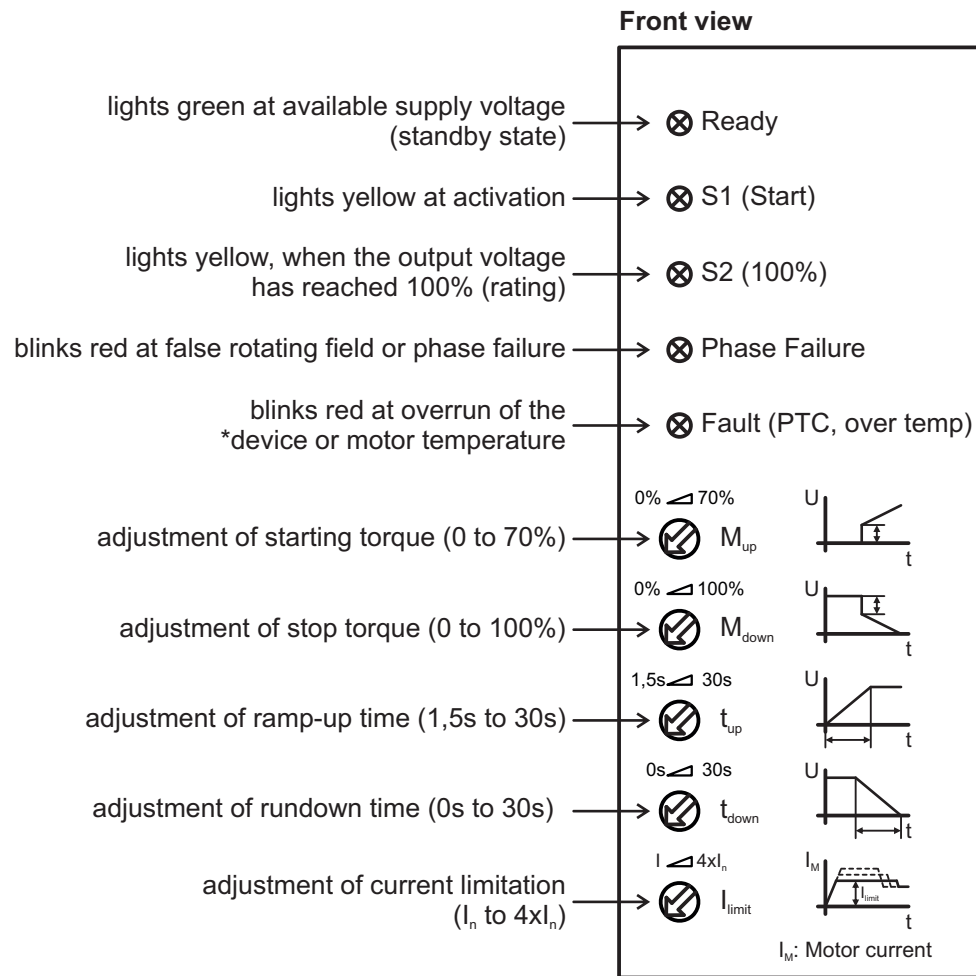
Picostart-S 1.5 to 5.5



Content

	Page
Explanation of the LEDs and Potentiometers.....	2
Connection of the Picostart-S Circuit of load and control clamps.....	2
Timing diagram: start-up of the Picostart-S.....	3
Dimensions.....	3

Explanation of the LEDs and Potentiometers



*Switch-off from device temperature = 85°C
When the device has reached a temperature of 60° C, an activation is possible again.

Connection of the Picostart-S Circuit of load and control clamps

L1, L2, L3: mains supply 3x400V AC, 50/60Hz

T1, T2, T3: motor connection

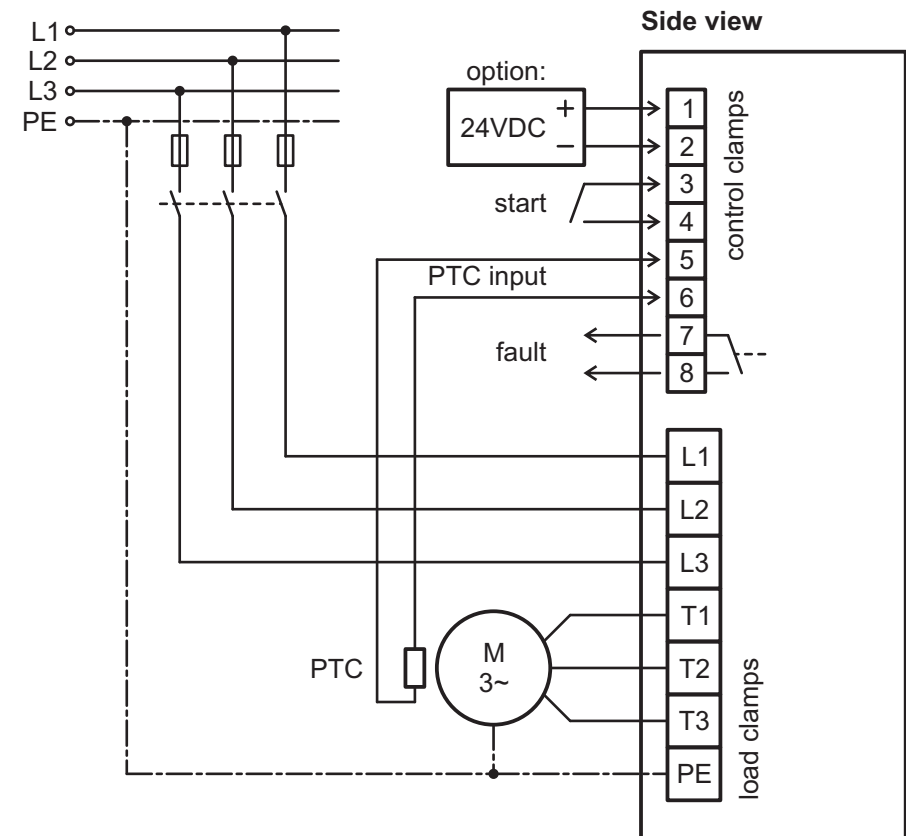
PE: earthing connection for motor and mains

1, 2: at customer request input for external supply voltage with 24V DC, unimplemented by default

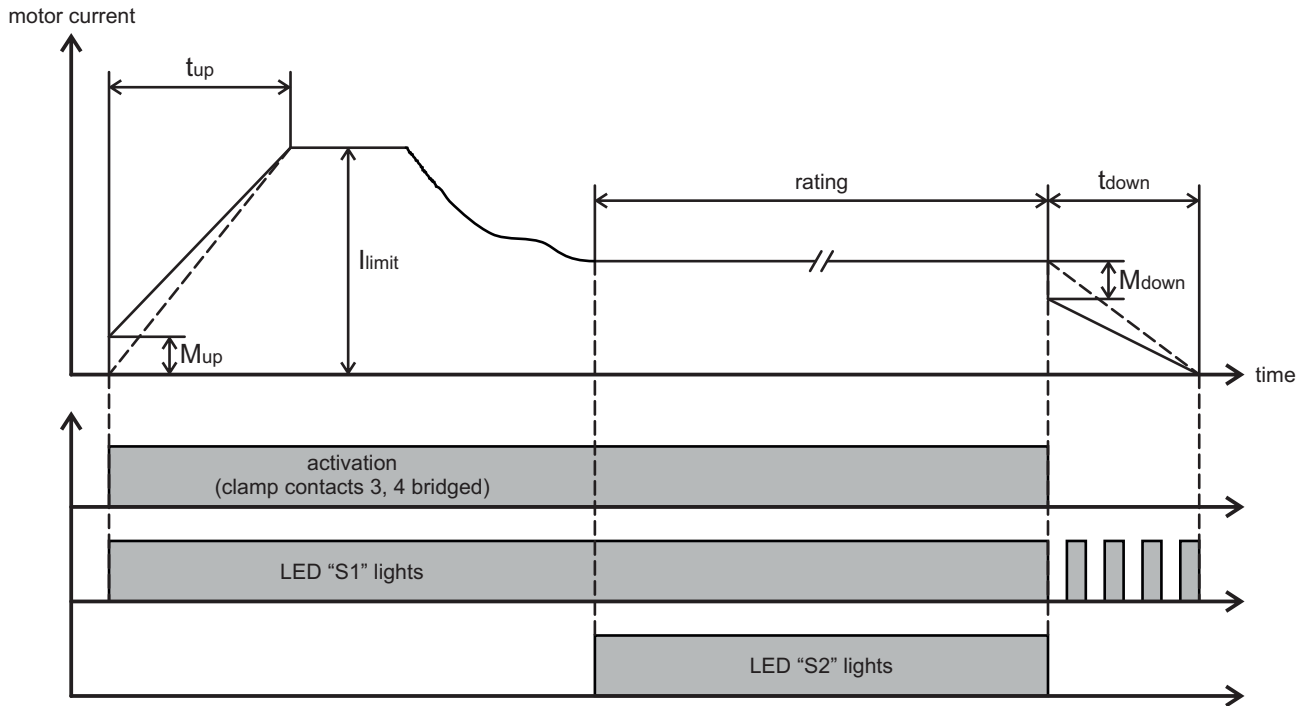
3, 4: activation of the soft start

5, 6: connection of the PTC temperature sensor of the motor

7, 8: output signal at false rotating field, phase failure, device or motor overtemperature (open contact at fault, closed at normal operation)



Timing diagramm: start-up of the Picostart-S



Dimensions

