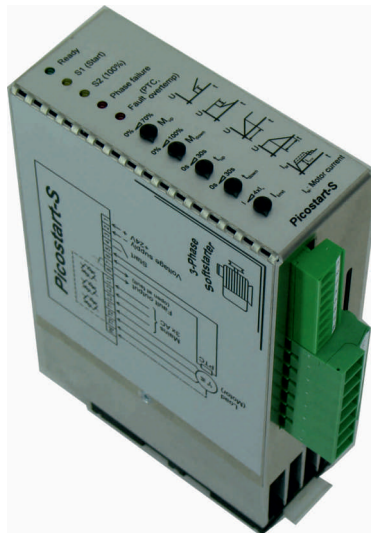




Instruction

Electronic soft-starter Type:

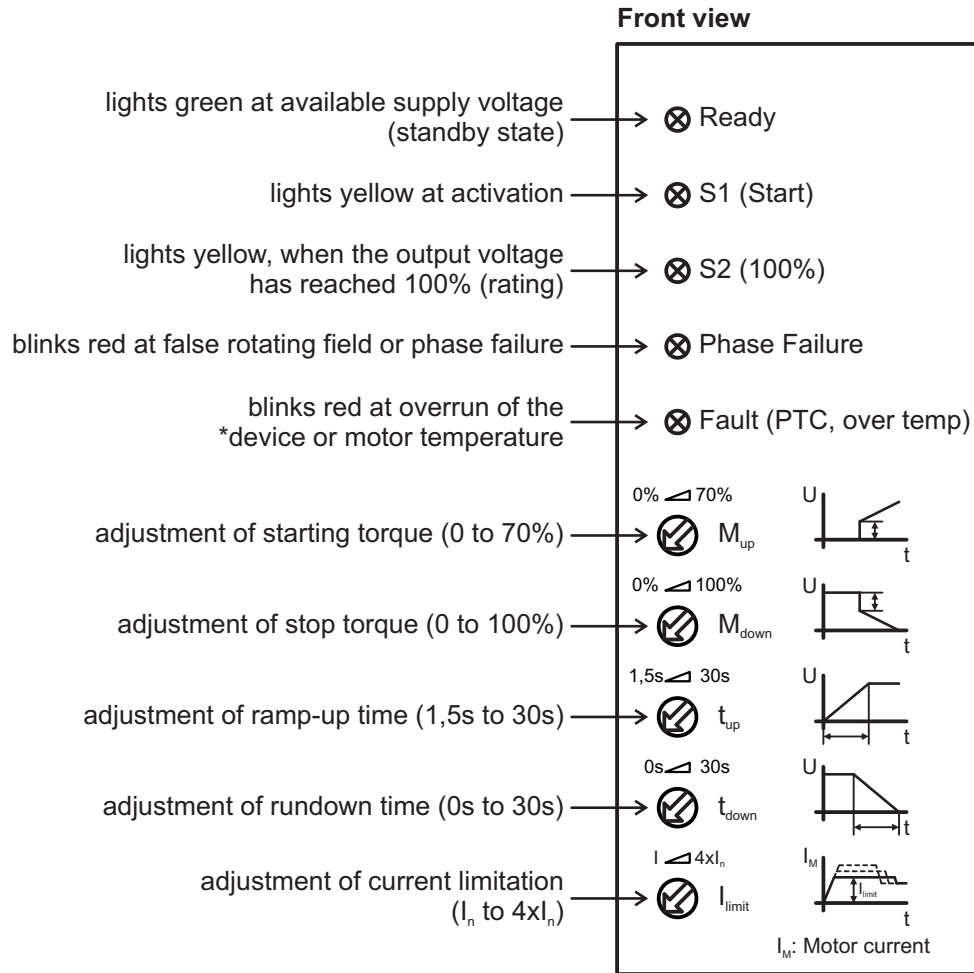
Picostart-S 7.5 to 15



Content

	Page
Explanation of the LEDs and Potentiometers.....	2
Connection of the Picostart-S Circuit of load and control clamps.....	2
Timing diagram: start-up of the Picostart-S.....	3
Dimensions.....	3

Explanation of the LEDs and Potentiometers



*Switch-off from device temperature = 85°C
When the device has reached a temperature of 60°C, an activation is possible again.

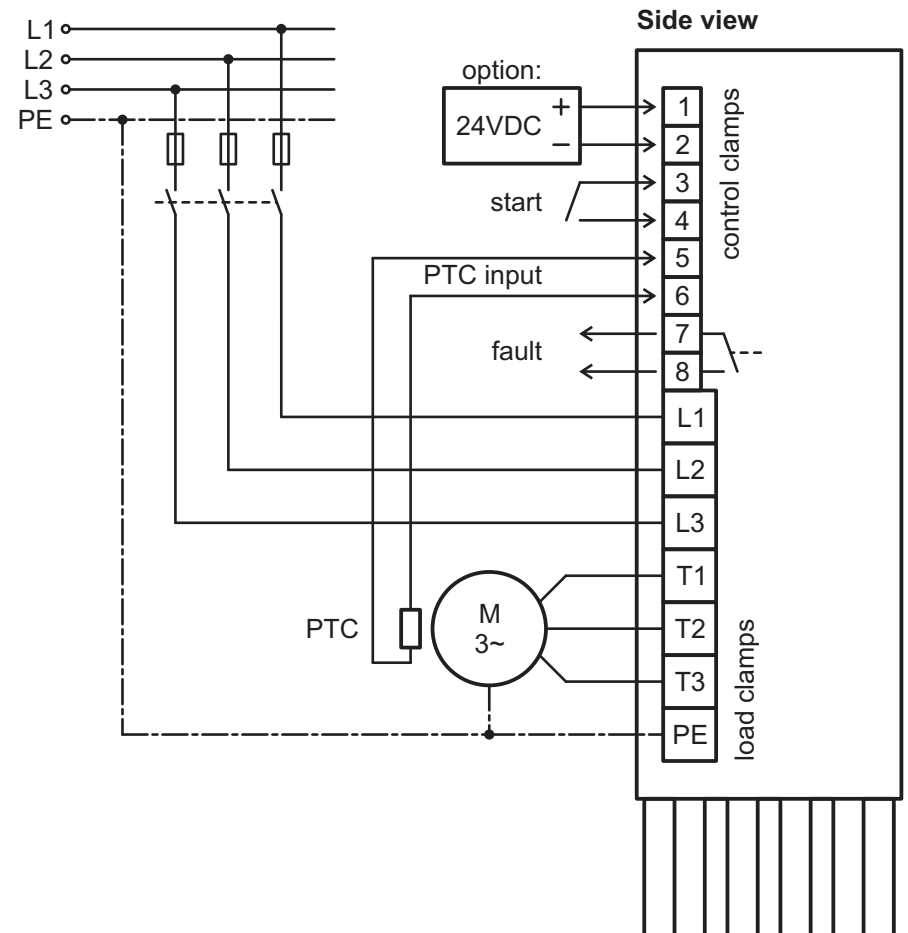
Connection of the Picostart-S Circuit of load and control clamps

L1, L2, L3: mains supply 3x400V AC, 50/60Hz

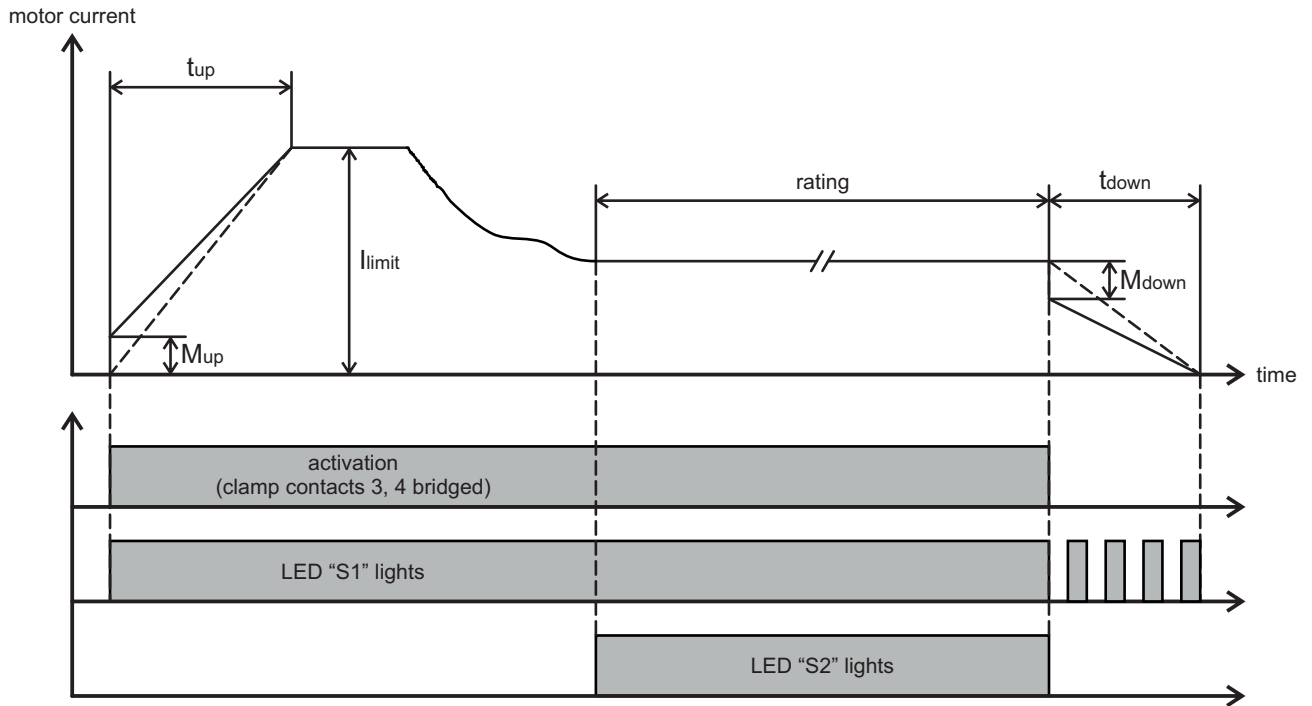
T1, T2, T3: motor connection

PE: earthing connection for motor and mains

- 1, 2: at customer request input for external supply voltage with 24V DC, unimplemented by default
- 3, 4: activation of the soft start
- 5, 6: connection of the PTC temperature sensor of the motor
- 7, 8: output signal at false rotating field, phase failure, device or motor overtemperature (open contact at fault, closed at normal operation)



Timing diagramm: start-up of the Picostart-S



Dimensions

