



# Instruction

## Electronic soft-starter Type:

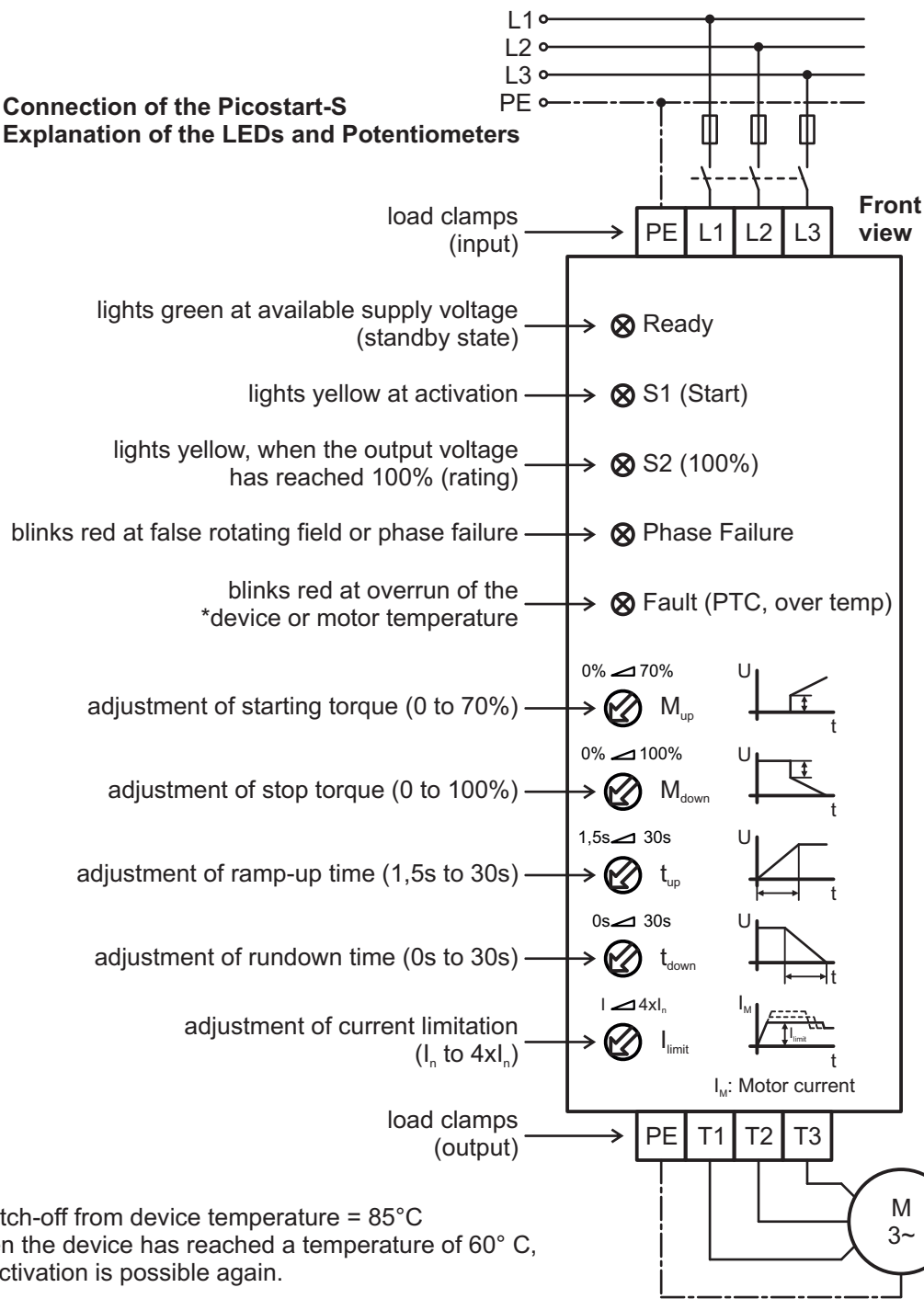
# Picostart-S 18.5 and 22



### Content

	Page
Explanation of the LEDs and Potentiometers.....	2
Connection of the Picostart-S Circuit of load and control clamps.....	2
Timing diagram: start-up of the Picostart-S.....	3
Dimensions.....	3

## Connection of the Picostart-S Explanation of the LEDs and Potentiometers



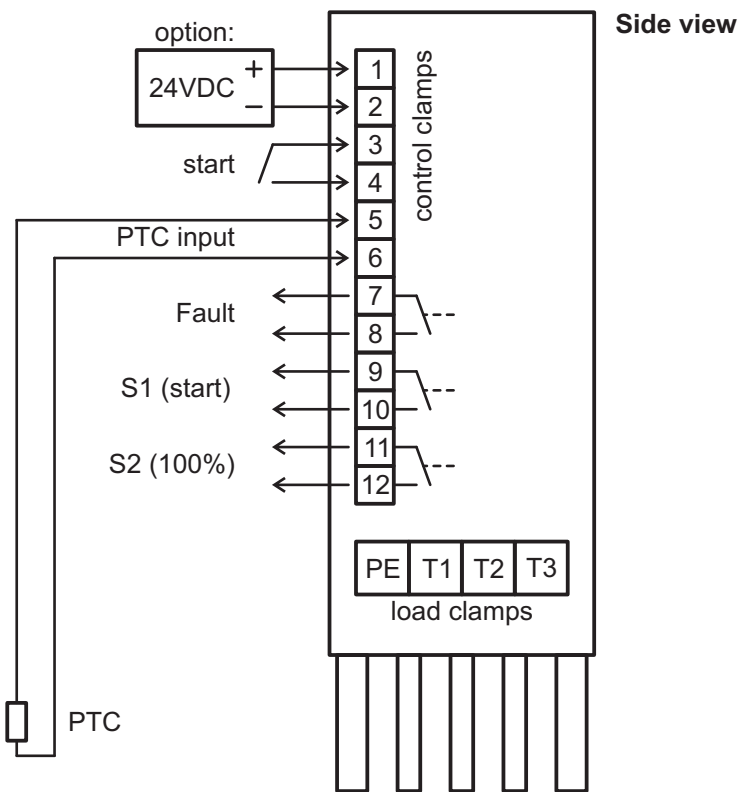
## Circuit of load and control clamps

L1, L2, L3: mains supply 3x400V AC, 50/60Hz

T1, T2, T3: motor connection

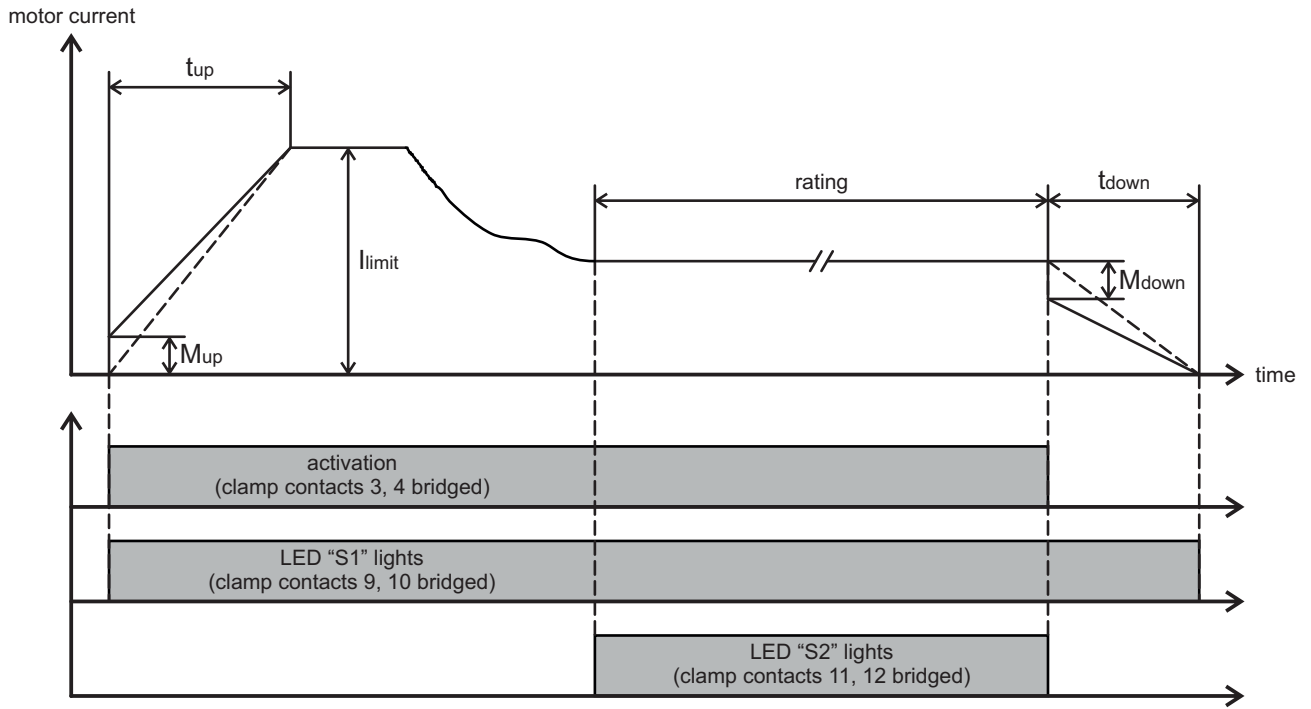
PE: earthing connection for motor and mains

- 1, 2: at customer request input for external supply voltage with 24V DC, unimplemented by default
- 3, 4: activation of the soft start
- 5, 6: connection of the PTC temperature sensor of the motor
- 7, 8: output signal at false rotating field, phase failure, device or motor overtemperature (open contact at fault, closed at normal operation)
- 9, 10: output S1 (closed contact at activation)
- 11, 12: output S2 (closed contact at 100%)



\*Switch-off from device temperature = 85°C  
When the device has reached a temperature of 60°C, an activation is possible again.

### Timing diagramm: start-up of the Picostart-S



### Dimensions

